

AUTOMATIC JUICE MACHINES

COMPACT SERIES COUNTERTOP FRUIT JUICE MACHINES

Project

Date

Models

JX15MC

Item #

Quantity



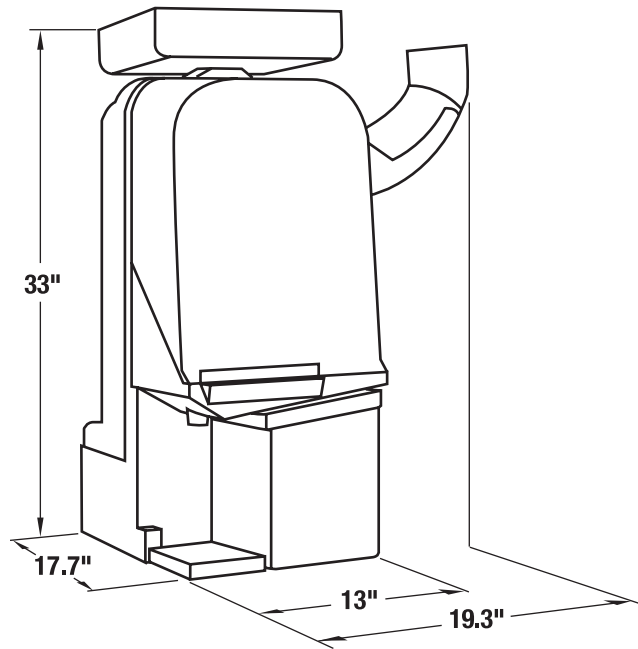
Model JX15MC

Features

- Avoid The Bitter Peel Taste – The exclusive design of the juicer insures that the peel is separated from the pulp & not pressed during the squeezing process. This is the secret to fresh sweet juice without any trace of bitter peel oil.
- Micro Serrated Slicing Blade – Heavy-duty stainless steel blade strong enough to quickly slice through the thickest peel.
- Available Carousel Style Automatic Feeder – On models with this feature fruit is automatically fed into the machine quickly & efficiently as the feeder rotates.
- Requires Minimal Counter Space – The Compact series models are among the smallest automatic juice machines on the market.
- Easy to Disassemble & Clean – No tools required to remove dishwasher safe components.

AUTOMATIC JUICE MACHINES

COMPACT SERIES COUNTERTOP FRUIT JUICE MACHINES



Model JX15MC
Compact/Manual Feed



Intertek



NEMA 5-15R

MODEL	DESCRIPTION	FEEDER CAPACITY	FLOW RATE / MIN	DIMENSIONS (H X W X D)	ELECTRICAL	SHIP WEIGHT
JX15MC	15 oranges/min. Compact Series with manual feed.	6 Oranges	25 oz. - 45 oz. (.7 L - 1.3 L)	33" x 19.3" x 17.7" (84 cm x 49 cm x 45 cm)	120V, .55KW, 9A	111 lbs. (51 kg)

Electrical: Line cord & Nema 5-15P plug included. Export voltage available.

Color: Orange.

Fruit Diameter: A2.36" - 3.2" (60 mm - 80 mm).

Contact Grindmaster-Cecilware™ for more information. Specifications subject to improvement or change without notice.